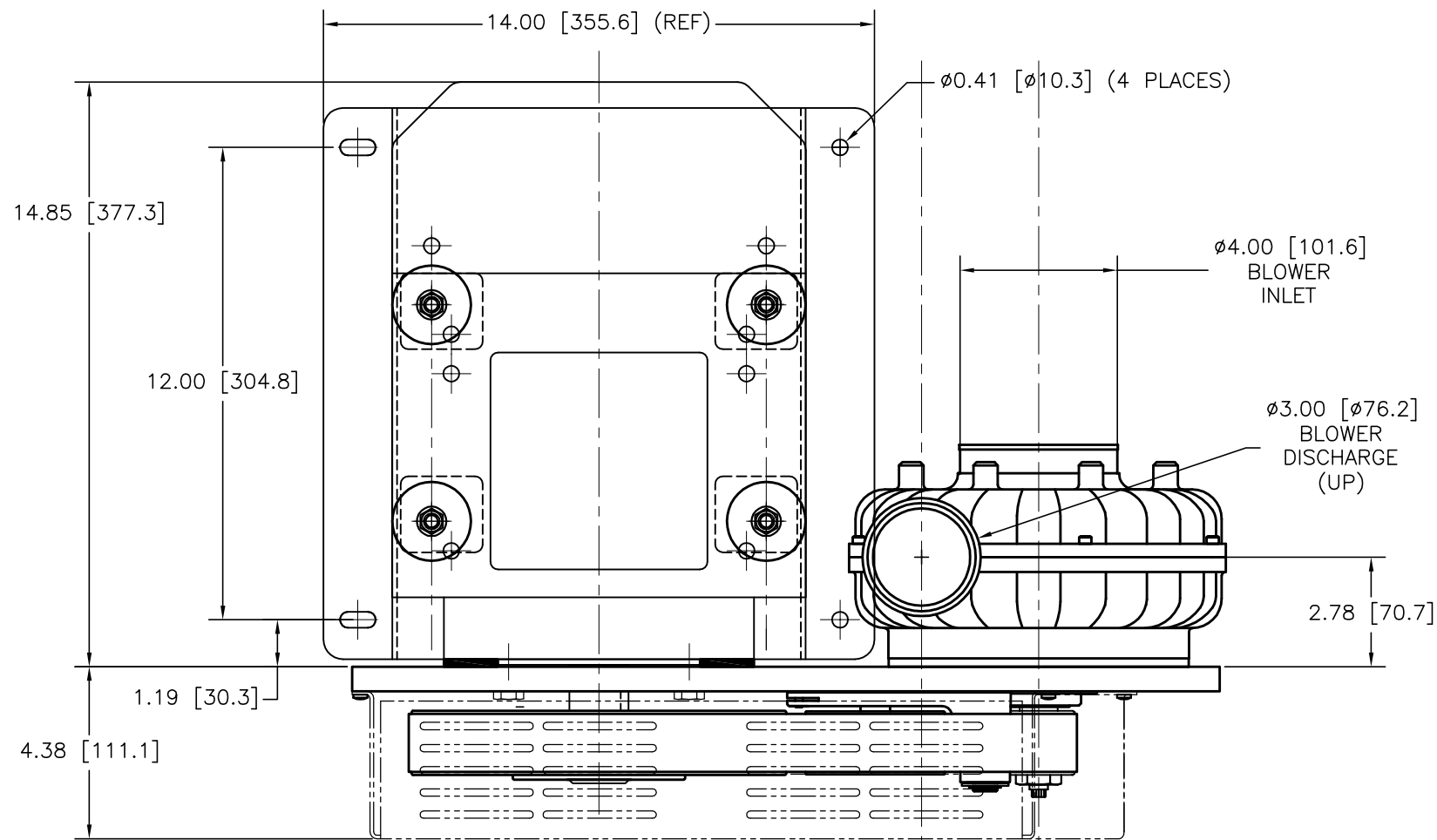


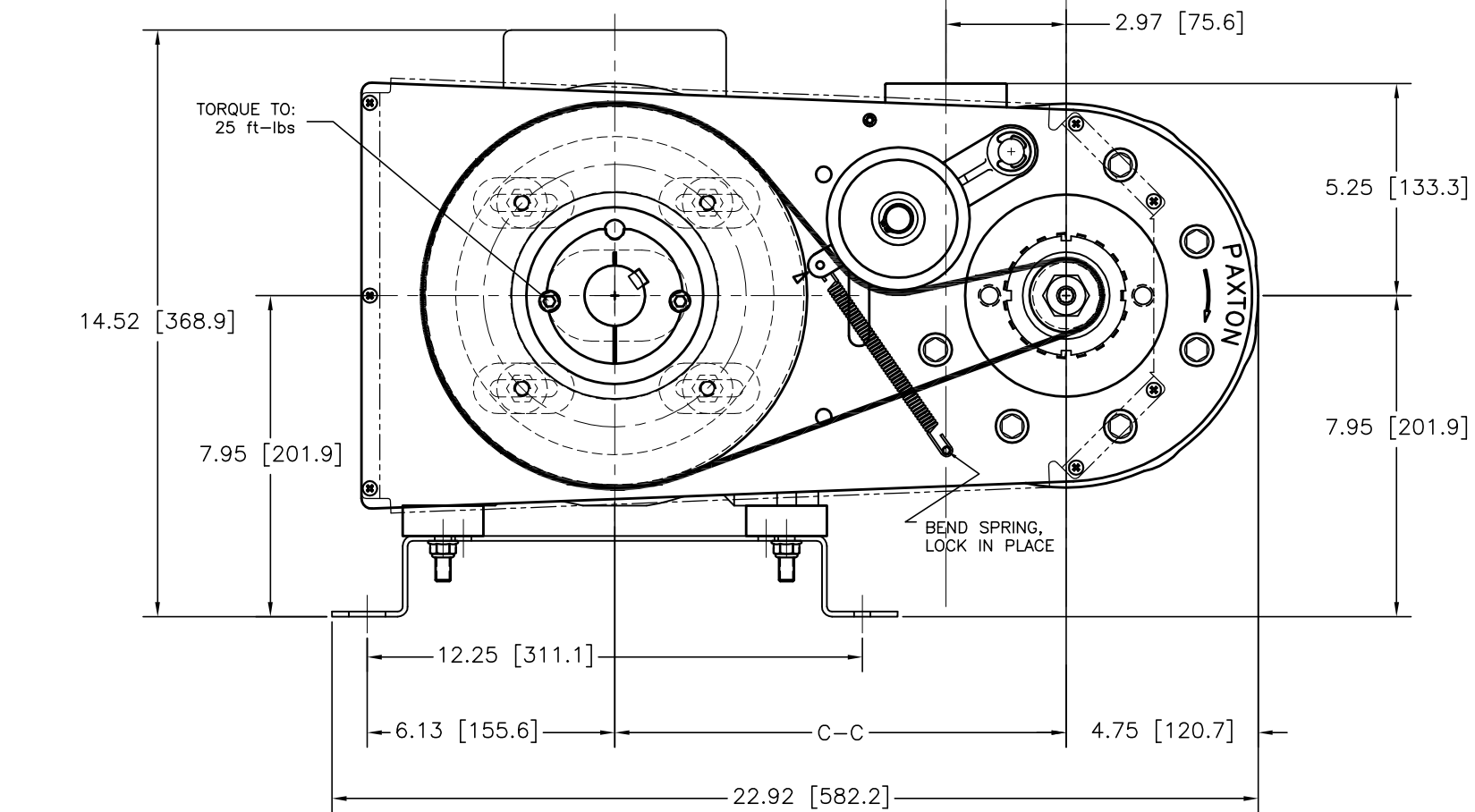
REV	DESCRIPTION	ECN	DATE	BY	APPROVED
-	NEW DRAWING	-	01.17.06	ASP	ASP



BUILD / TEST SPECIFICATIONS:

10Hp, 9.525 x 1.89, 16GRV 430
VIEW:A, ROTATION: A
60Hz, 505 CFM @ 63"H2O, 16900 RPM
STD TEST VOLTAGE: 230V/3/60Hz

BLOWER CONFIGURED FOR END USE IN: KOREA



Engineering Data / 9.525"	
BELT: 8001458 (430)	
Pulley	C-C (in)
MAX	11.75
1.50	11.46
1.54	11.42
1.57	11.39
1.61	11.35
1.65	11.32
1.69	11.29
1.73	11.25
1.77	11.21
1.81	11.17
1.85	11.14
1.89	11.09
1.94	11.03
1.99	11.00
2.04	10.95
2.09	10.90
MIN	10.50

BILL OF MATERIAL			
ITEM	QTY	PART #	DESCRIPTION
10	1	8002110	BLWR HD, RM87E / AT700 W/O PULLEY
20	1	8000257-1.89	PULLEY, BLWR, AT700, 1.89" OD J-TYPE, 16GRV, E-NICKEL PLT STL
30	1	8005200	PLATE, MTR MTG, AT700, IEC 132M (B34 FLG), 5.5 & 7.5 KW MTR
40	1	by DIST.	MTR, 7.5KW (10Hp) TEFC, 132S 3530RPM 460V/3PH/60HZ, SIEMENS 1LA7131-2AA67
42	1	8005225	KEY, MOTOR, 2517 BUSHING 132M (METRIC), AT SERIES
45	1	8005201	PLATE, SPACER FOR IEC 132M (B34 FLG) MTRS, 7.87"OD x3/16"
50	1	1196260	BUSHING, 2517 x 38mm ID (132M) DODGE TAPER-LOK P/N 119626
60	1	8002273-9.525	PULLEY, MTR, AT SERIES, 9.525" 16GRV, CST IRON, F/2517 BUSHING
70	1	8001458	BELT, 16GRV, POLY-RIB, 430 LG PAXTON COMPOSITE CONSTRUCTION
	1	8005127	KIT, HARDWARE FOR BLWR/MTR ASY AT700 (IEC 132M) MTR
80	REF	8005125	(QTY:4) SCREW, M10-1.5mm X 40mm LG METRIC 8.8, ZINC PLT, HXHD
	REF	8005126	(QTY:4) WASHER, FLAT, 7/16", USS HIGH-STRENGTH, 1-1/4"OD, 0.06"THK
90	1	8002561-1	ASY, IDLER/TENSIONER, AT-SERIES (MFG ASSEMBLY / NO PACKAGING)
100	1	8002248	GUARD, BELT AT700/800/1200 LG FRAME, 213/215/254/256TC MTR
110	1	8005063	KIT, (4) VIBRATION ISOLATORS W/ (8) 3/8-16 FLANGED LOCK NUTS
120	1	8005360	PLT, ENCLOSURE MOUNTING / LIFT FOR 182-215TC NEMA, 132M IEC

CUSTOMER GENERAL SYSTEMS MISC. SIMILAR TO 8005407 THIS DRAWING IS THE PROPERTY OF PAXTON PRODUCTS AND IS FURNISHED ON THE CONDITION THAT IT IS NOT TO BE REPRODUCED, COPIED OR USED DIRECTLY OR INDIRECTLY IN THE MAKING OF DRAWINGS, PRINTS, APPARATUS OR PARTS THEREOF WITHOUT WRITTEN AUTHORIZATION.	PAXTON PRODUCTS		ITW Air Management Phone: (800) 441-7475 10125 Carver Road Fax: (513) 891-4092 Cincinnati, OH 45242	
	BLWR OEM, AT700 10HP IEC-132M 60HZ 230/460V/3/60/HZ, 500 CFM @60", KOREA			
DRAWN BY ASP	DATE 01.17.07	SIZE B	DWG NO. 8005427	REV -
SCALE: 1:4.25		SHEET: 1 of 1		