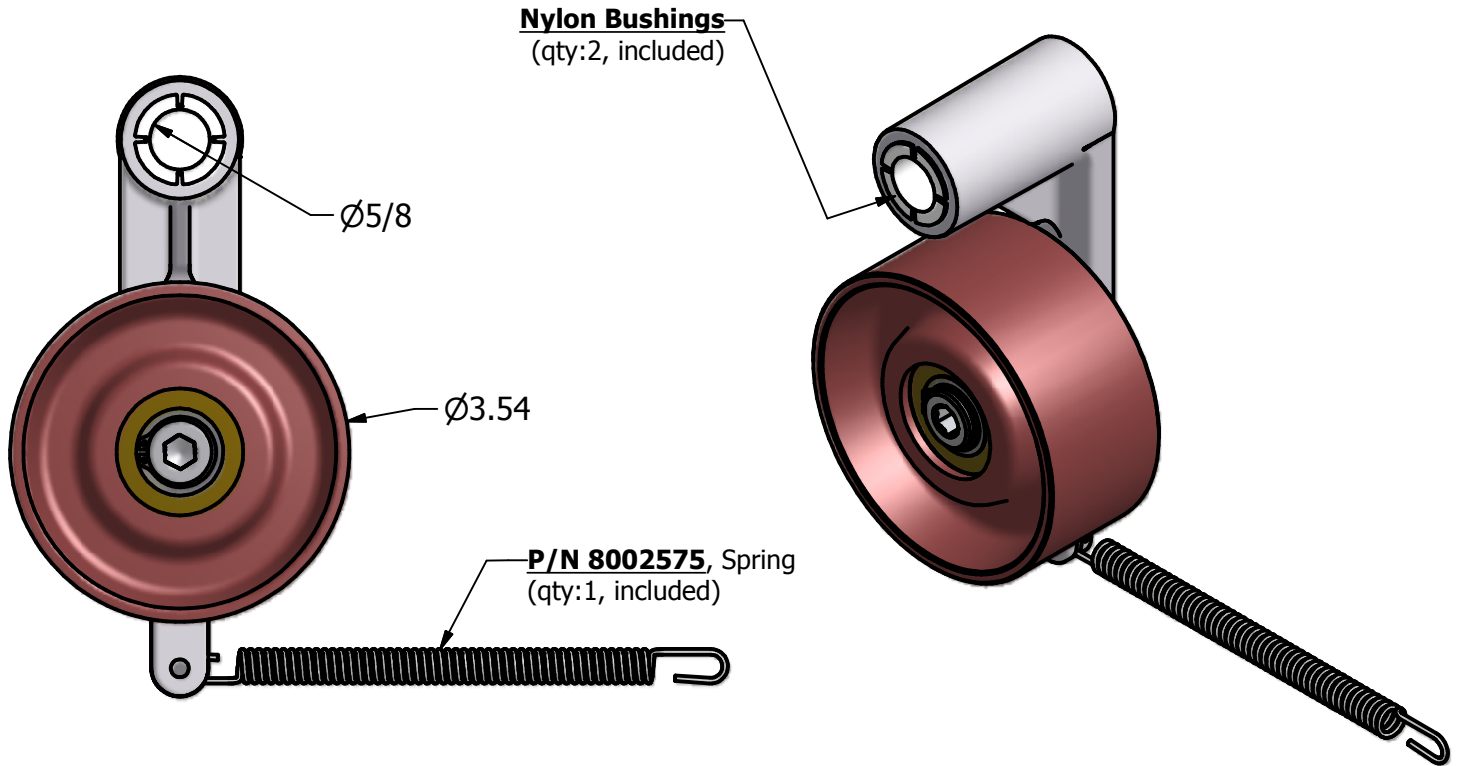


Paxton AT-Series, Replacement Tensioner Assembly



P/N 8002562,
 ASY, IDLER/TENS., AT-SERIES
 WITH ALUM PULLEY, SPRING, 2xBRG

- or -

P/N 8002562-5,
 ASY, IDLER/TENS., 5-PACK, AT
 SERIES, ALUM PULLEY, SPRG, 2xBRG



P/N 8002575-5,
 SPRING, 5PK, 4.42" LONG
 FOR AT-SERIES IDLER ARM
 (sold separately)

THIS DOCUMENT IS THE
 PROPERTY OF PAXTON
 PRODUCTS AND IS FURNISHED
 ON THE CONDITION THAT IT
 IS NOT TO BE REPRODUCED,
 COPIED OR USED DIRECTLY
 OR INDIRECTLY IN THE
 MAKING OF DRAWINGS,
 PRINTS, APPARATUS OR
 PARTS THEREOF WITHOUT
 WRITTEN AUTHORIZATION.



ITW Air Management Phone: (800) 441-7475
 10125 Carver Road Fax: (513) 891-4092
 Cincinnati, OH 45242

ASSEMBLY, IDLER/TENSIONER, AT-SERIES
 WITH ALUMINUM PULLEY, SPRING, 2xBearings

DATE
 3/17/2008

INVENTOR DWG No.

CS-8002562