

PAXTON

PRODUCTS



Cone Manifolds

Paxton Cone Manifolds provide a focused thrust of air from as far away as 18 inches.

Paxton Cone Manifolds are ideal for applications requiring a greater-than-standard distance between the affected surface and the air source. Cone Manifolds maintain thrust as far away as 18 inches without suffering a significant drop in air velocity from mixing with ambient air.

Cone Manifolds are the ideal blow-off solution for...

- ▶ conveyors of multiple item types of various sizes and shapes.
- ▶ applications requiring air with a concentrated, high thrust.
- ▶ products that have a multi-faceted surface to dry.
- ▶ applications where it is critical to mount air devices more than five inches from the blow-off surface.

Performance Specifications in CFM(Cubic Feet per Minute).

Model Number	Overall Length	Qty of Nozzles	Pressure (inches of water column)			
			40" H ₂ O	50" H ₂ O	60" H ₂ O	70" H ₂ O
8004300-24	26"	6	205	227	247	265
8004300-36	38"	9	307	341	371	398
8004300-40	42"	10	341	379	412	442
8004300-48	50"	12	409	454	494	530
8004300-60	62"	15	512	568	618	663
Velocity (FPM)			24,558	27,259	29,650	31,804
* Cone Manifold performance specifications are based on operation at 14.7 PSIA, 68° F ambient at sea level.						

TW Air Management

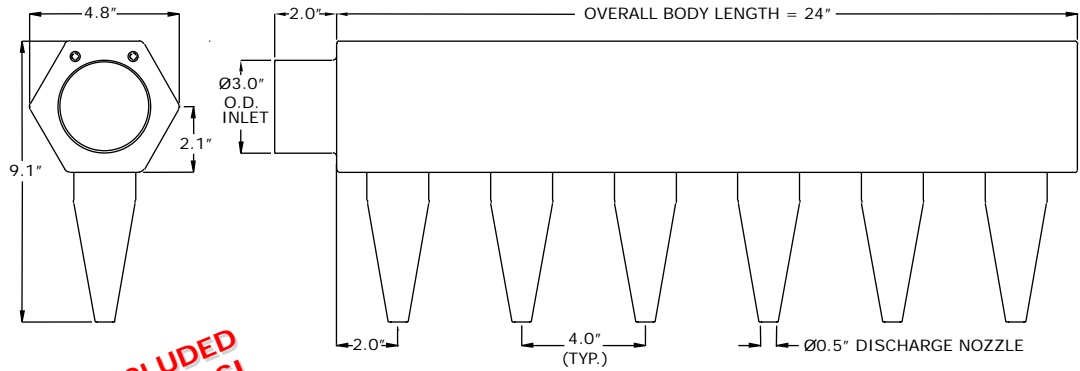
10125 Carver Road
Cincinnati, Ohio 45242 USA

(800) 959-8884 Toll Free
(513) 891-7474 Phone
(513) 891-4092 Fax
www.paxtonproducts.com



PAXTON PRODUCTS

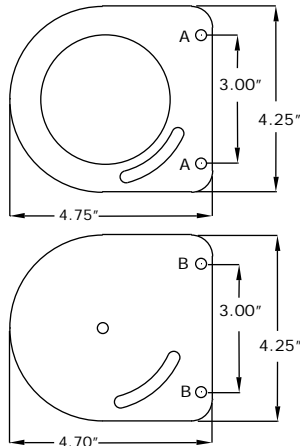
OVERALL DIMENSIONS



**MOUNTING PLATES INCLUDED
WITH ALL CONE MANIFOLDS!**

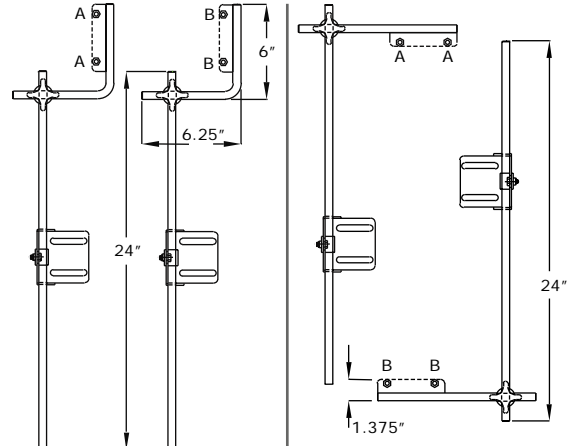
OPTIONAL EQUIPMENT

Mounting Plates



PART NUMBER: 8316500-PLT

Mounting Rod Kit



PART NUMBER: 8005210-24

PART NUMBER: 8005211-24

ADDITIONAL EQUIPMENT

- ▶ Blower Systems
- ▶ Blower Enclosures
- ▶ Aluminum Adaptors
- ▶ Dividers
- ▶ Aluminum Air Knives
- ▶ Stainless Steel Air Knives
- ▶ Adjustable Valves
- ▶ Stainless Steel Elbows

TW Air Management

10125 Carver Road • Cincinnati, Ohio 45242 USA
 (800) 959-8884 Toll Free • (513) 891-7474 Phone • (513) 891-4092 Fax
www.paxtonproducts.com