



Lower Your Compressed Air Usage and Realize Energy Savings...Immediately!

Here's one of the easiest ways to realize significant savings on energy costs through lower compressed air usage. Paxton's new **PowerDry™** system is the simple and affordable alternative to compressed air blow-off nozzles and jets commonly used for drying prior to date coding, labeling or packaging. The patent pending design is centered on reliable, Paxton performance and quick, turnkey installation.

Depending on your annual operating hours, this Paxton system often **pays for itself in energy savings in less than 12 months**. Its high velocity airflow sheers off moisture on bottles, cans, jars and other containers, providing a dry, suitable surface for quality coding or eliminating moisture-related packaging issues.



- Significantly reduces energy costs in most applications
- Improves drying performance over typical compressed air devices
- Eliminates contamination from oils and debris in compressed air



In a typical processing facility, one or two of these on a line can cost over \$4000 in annual compressed air energy cost!

The PowerDry™ system is a purpose-built solution with everything included to easily replace costly compressed air devices. Its durable construction was designed for food, beverage and general industrial environments.

In many cases, a single PowerDry™ unit can be used to replace two or more blow-off devices, providing sizable cost savings. It delivers successive hits of high impact air, often improving drying performance.

Let our Paxton technical service staff assist you in determining how much you can save by using the PowerDry™ system.

Please call **800-441-7475** for more information and pricing.

Patent Pending

The PowerDry™ system was specifically developed as an affordable, quick-to-install alternative to many compressed air nozzles, jets, pipe manifolds, and other common devices.



- Compact size
- Simple installation
- Low maintenance
- Adjustable air delivery mounting
- Rugged polypropylene enclosure for washdown capability and noise abatement

TW Air Management



Specifications:

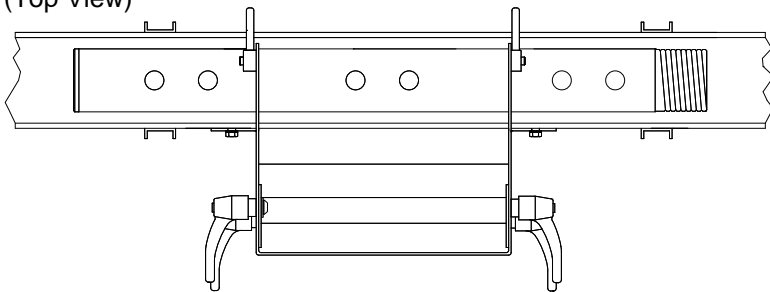
- Blower:** Paxton Centrifugal AT-700 head; 3 HP Motor, 208-230v or 460v, 3-phase
- Enclosure:** White polypropylene, stainless steel hardware
- Air Tube:** UHMW polyethylene 29.5" tube with 6 adjustable nozzles, stainless steel mounting
- Hose:** 3" Flex FDA compliant 8' long, stainless steel clamps

The powerful PowerDry™ blower will often support an additional air tube for a nearby, second location or processing line. An Auxiliary Air Tube Kit is available to deliver a maximum 12-nozzle blow-off.

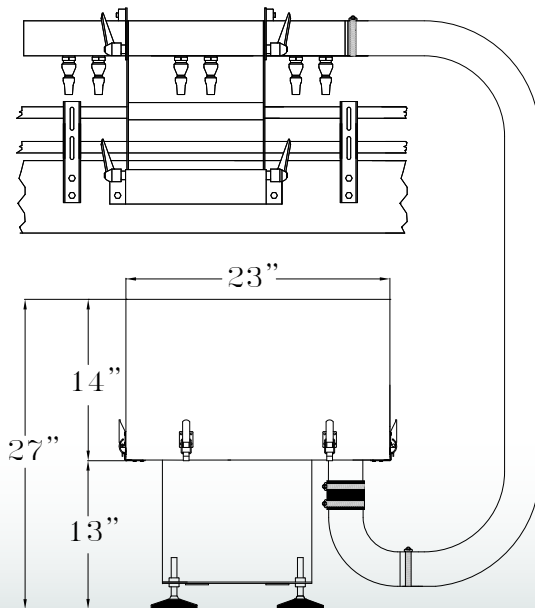


Sample Application Drawing:

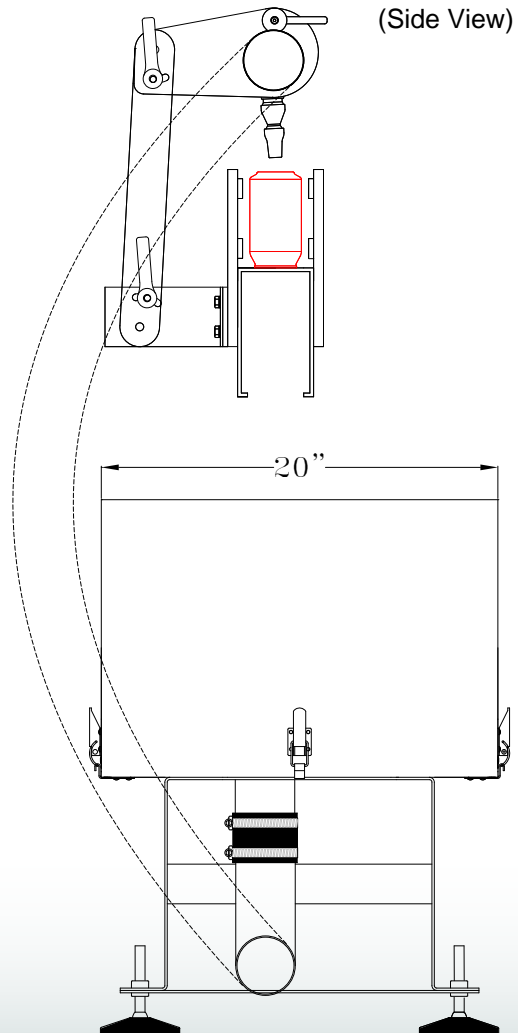
(Top View)



(Front View)



(Side View)



Model No.

Description

8006002	Paxton PowerDry, complete system
8006150	Auxiliary Air Tube Kit; includes 2nd air tube assembly, mounting, Y-divider
8006108-2	Replacement elements, high performance air filters; 2-Pack

TW Air Management

(800) 441-7475 · (513) 891-7474 · FAX (513) 891-4092
www.PaxtonProducts.com