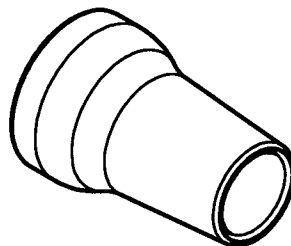
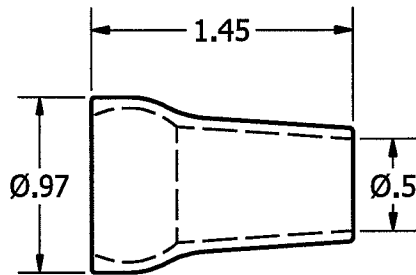


PAXTON P/N 8004202
 SEGMENT/ADAPTER
 3/4" TO 1/2"
 BLACK, ACETAL COPOLYMER

LOC-LINE P/N:
69548-BLACK (50 PCS)

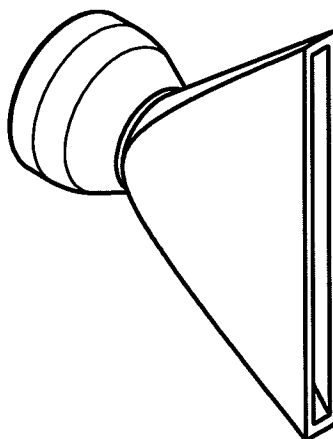
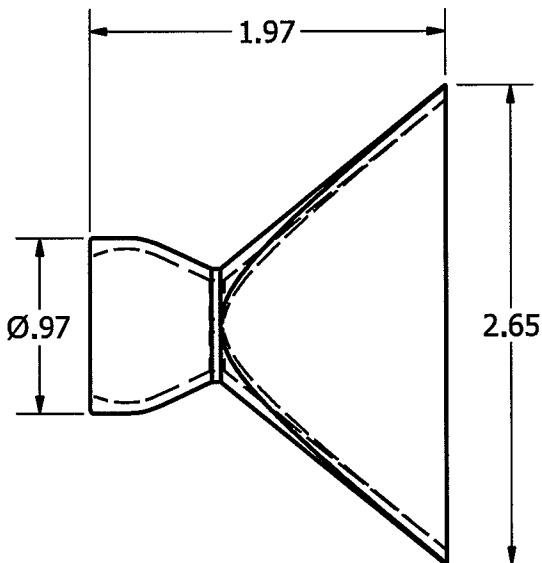
LOC-LINE P/N:
 61508 (ORANGE, 4 PCS)



PAXTON P/N 8003139
 NOZZLE, 1/2" (ID) ROUND
 BLACK, ACETAL COPOLYMER

LOC-LINE P/N:
59863-BLACK (50 PCS)

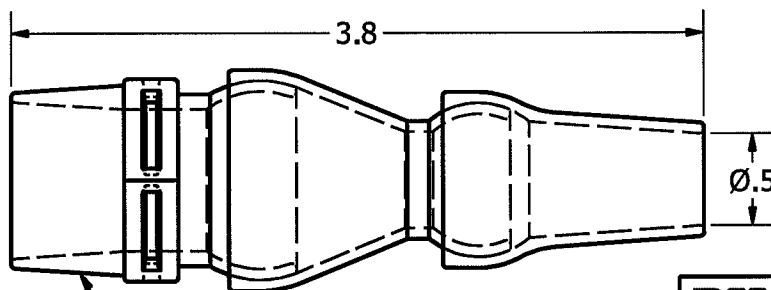
LOC-LINE P/N:
 51803 (ORANGE, 4 PCS)



PAXTON P/N 8006230
 FLARE NOZZLE, 2.50"
 x 1/2 SEGMENT CONNECTOR
 BLACK, ACETAL COPOLYMER

LOC-LINE P/N:
59871-BLACK (20 PCS)

LOC-LINE P/N:
 51809 (ORANGE, 2 PCS)



PAXTON P/N 8006226
 NOZZLE ASSEMBLY, BLACK, 4" LG
 3/4"NPT x 1/2" ID NOZZLE
 BLACK, ACETAL COPOLYMER
 (8004030 / 8004202 / 8003139)

FOR PAXTON PowerDry Manifold

3/4-14 NPT



ITW Air Management Phone: (800) 441-7475
 10125 Carver Road Fax: (513) 891-4092
 Cincinnati, OH 45242

GUIDE TO PAXTON REPLACEMENT PLASTIC
 NOZZLES (LOC-LINE: www.loc-line.com)

DATE 9/1/2007

SCALE 1:1

Sheet 2 of 2