



Stainless Steel Air Knives



Stainless Steel Air Knives are the Best Option Sensitive Environments

Paxton Products Stainless Steel Air knives have been engineered to provide the maximum performance and efficiency for your air-drying and blow-off applications.

When coupled with an expertly balanced Paxton Blower System, our Stainless Steel Air knives are the ideal solution for food cleaning and or package and bottle drying stations. Our industry leading Customer Service Engineers will work you to ensure your Stainless Steel Air Knives and Paxton Blower System are configured to your exact setup.

The rugged 316 stainless steel construction will stand up to the harsh detergents that tend to break down aluminum components.

Performance Specifications in CFM(Cubic Feet per Minute).

Model Number	Effective Length	Pressure (inches of water column)			
		40" H ₂ O	50" H ₂ O	60" H ₂ O	70" H ₂ O
8316500-6	6"	57	63	68	73
8316500-12	12"	113	125	136	146
8316500-18	18"	169	188	204	219
8316500-24	24"	226	250	272	292
8316500-30	30"	282	313	340	365
Velocity (FPM)		24,558	27,259	29,650	31,804

*Air knife performance specifications are based on operation at 14.7 PSIA, 68° F ambient at sea level, with a .055" gap setting.

7W Air Management

10125 Carver Road
Cincinnati, Ohio 45242 USA

(800) 959-8884 Toll Free

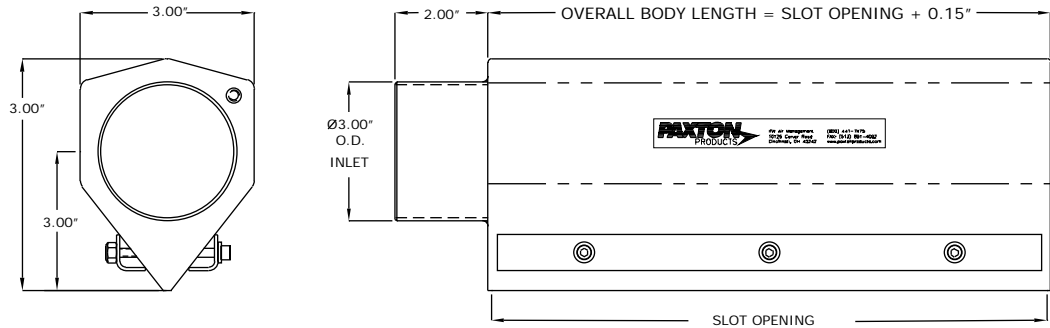
(513) 891-7474 Phone

(513) 891-4092 Fax

www.paxtonproducts.com

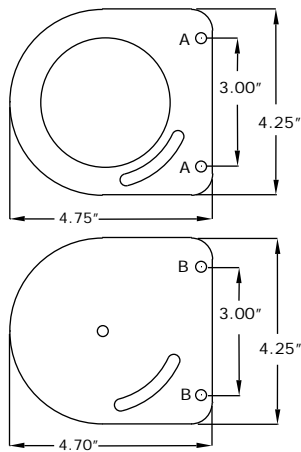
PAXTON PRODUCTS

OVERALL DIMENSIONS



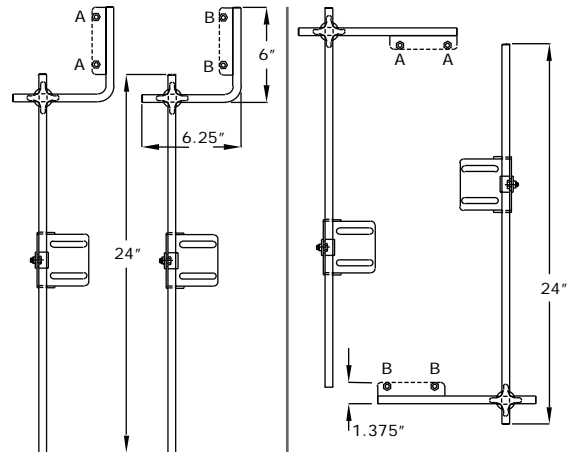
OPTIONAL EQUIPMENT

Mounting Plates



PART NUMBER: 8316500-PLT

Mounting Rod Kit



PART NUMBER: 8005210-24

PART NUMBER: 8005211-24

ADDITIONAL EQUIPMENT

- ▶ Blower Systems
- ▶ Blower Enclosures
- ▶ Aluminum Adaptors
- ▶ Dividers
- ▶ Aluminum Air Knives
- ▶ Adjustable Valves
- ▶ Hoses
- ▶ Stainless Steel Elbows

TW Air Management

10125 Carver Road • Cincinnati, Ohio 45242 USA
 (800) 959-8884 Toll Free • (513) 891-7474 Phone • (513) 891-4092 Fax
www.paxtonproducts.com